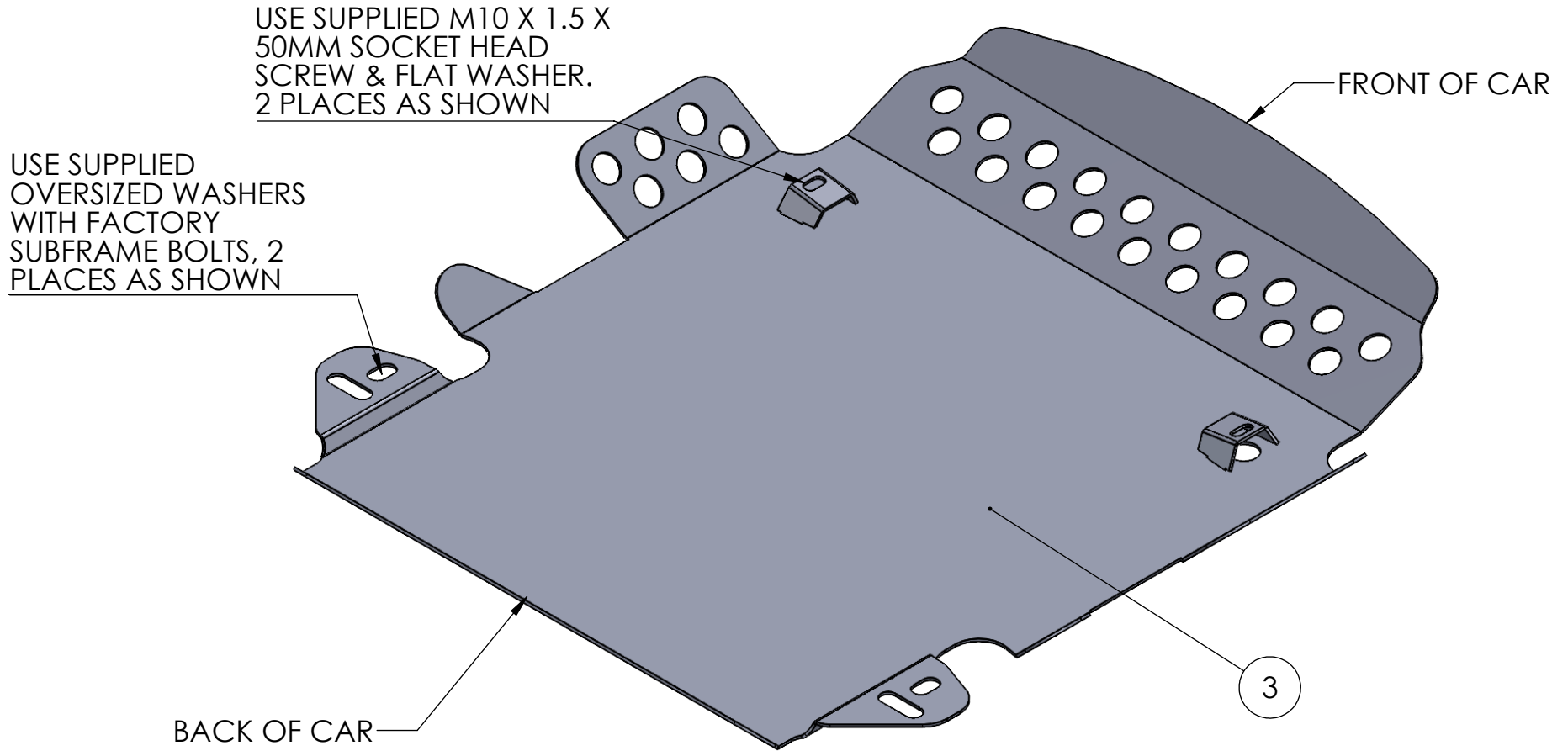


ITEM NO.	QTY	DESCRIPTION
1	2	M10 X 1.5 X 50MM SOCKET HEAD SCREW, ZINC PLATED - 90128A291
2	2	M10 FLAT WASHER, ZINC PLATED - 91166A280
3	1	U07 911 FRONT SKID PLATE
4	2	OVERSIZED FLAT WASHER, ZINC PLATED - 91090A114

DRAWING NUMBER

U07



(802)893-7366
 32 Catamount Dr.
 Milton, VT, 05468

TITLE		911 SKID PLATE		
DWG BY	SC	DATE	1/6/2022	SHEET 1 OF 1
APR BY	-	DATE	-	SCALE: 1:20
DRAWING NUMBER				REV
U07				B